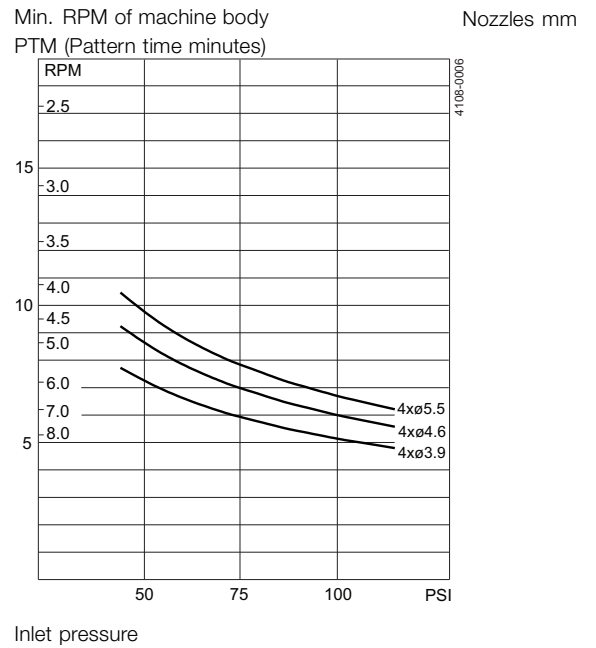
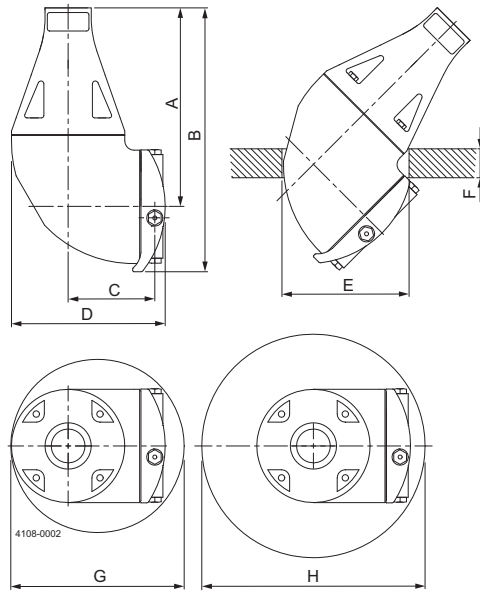


Distillery version - flow at 5 bar / 72.5 PSI  
 4 x ø0.15 = 13.08 (yard<sup>3</sup>/h)  
 4 x ø0.18 = 16.22 (yard<sup>3</sup>/h)  
 4 x ø0.22 = 18.18 (yard<sup>3</sup>/h)

**Dimensions (inch)**



A	B	C	D	E	F	G	H
6.81	9.06	2.95	5.24	ø4.33	max. 0.98	ø5.91	ø7.87

### Standard Design

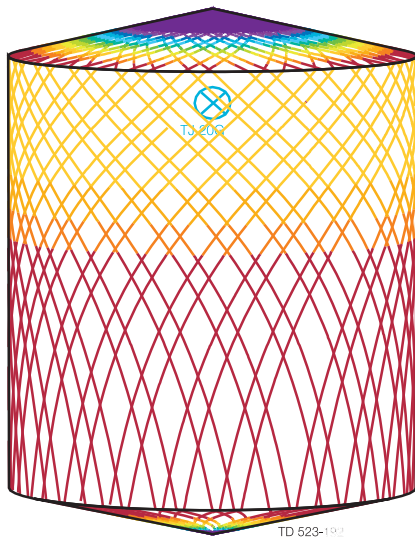
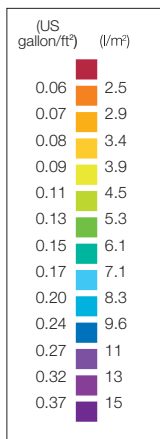
The choice of nozzle diameters can optimise jet impact length and flow rate at the desired pressure. The Toftejorg TJ 20G is also available with PEEK impeller. A welding adaptor with sealing for 1" ISO, 1" ANSI, 1 1/2" ISO Dairy Pipe or 1 1/2" SWG Pipe is available as an accessory. The sanitary construction of the Toftejorg TJ20G is designed, with the aim to meet both European and American standards and regulations, such as EHEDG, USDA, USFDA, 3A etc. The TJ20G has been tested according to the EHEDG test procedure on cleanability and in-line steam sterilisability. As standard documentation, it can be supplied with a "Declaration of Conformity" for material specifications. Special distillery version available - see Price lists.

### TRAX simulation tool

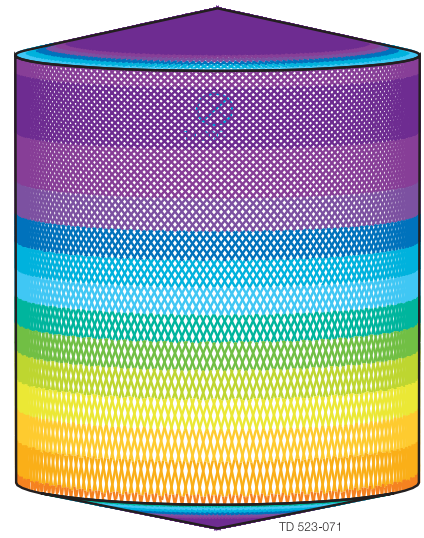
TRAX is a unique software that simulates how the Toftejorg TJ 20G performs in a specific tank or vessel. The simulation gives information on wetting intensity, pattern mesh width and cleaning jet velocity. This information is used to determine the best location of the tank cleaning machine and the correct combination of flow, time and pressure to implement.

A TRAX demo containing different cleaning simulations covering a variety of applications can be used as reference and documentation for tank cleaning applications. A TRAX simulation is free and available upon request.

### Wetting Intensity



D15 ft H18 ft, Toftejorg TJ 20G, 4 x  $\varnothing$ 0.22 inch, Time = 2.08 min., Water consumption = 106 gallon



D15 ft H18 ft, Toftejorg TJ 20G, 4 x  $\varnothing$ 0.22 inch, Time = 8.3 min., Water consumption = 428 gallon

Alfa Laval reserves the right to change specifications without prior notification. ALFA LAVAL is a trademark registered and owned by Alfa Laval Corporate AB.

ESE00326ENUS 1507

© Alfa Laval

---

**How to contact Alfa Laval**

Contact details for all countries are continually updated on our website. Please visit [www.alfalaval.us](http://www.alfalaval.us) to access the information direct.